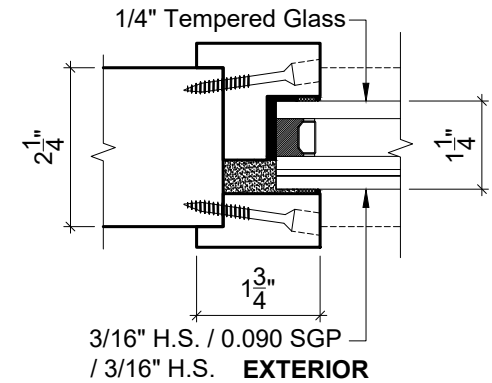
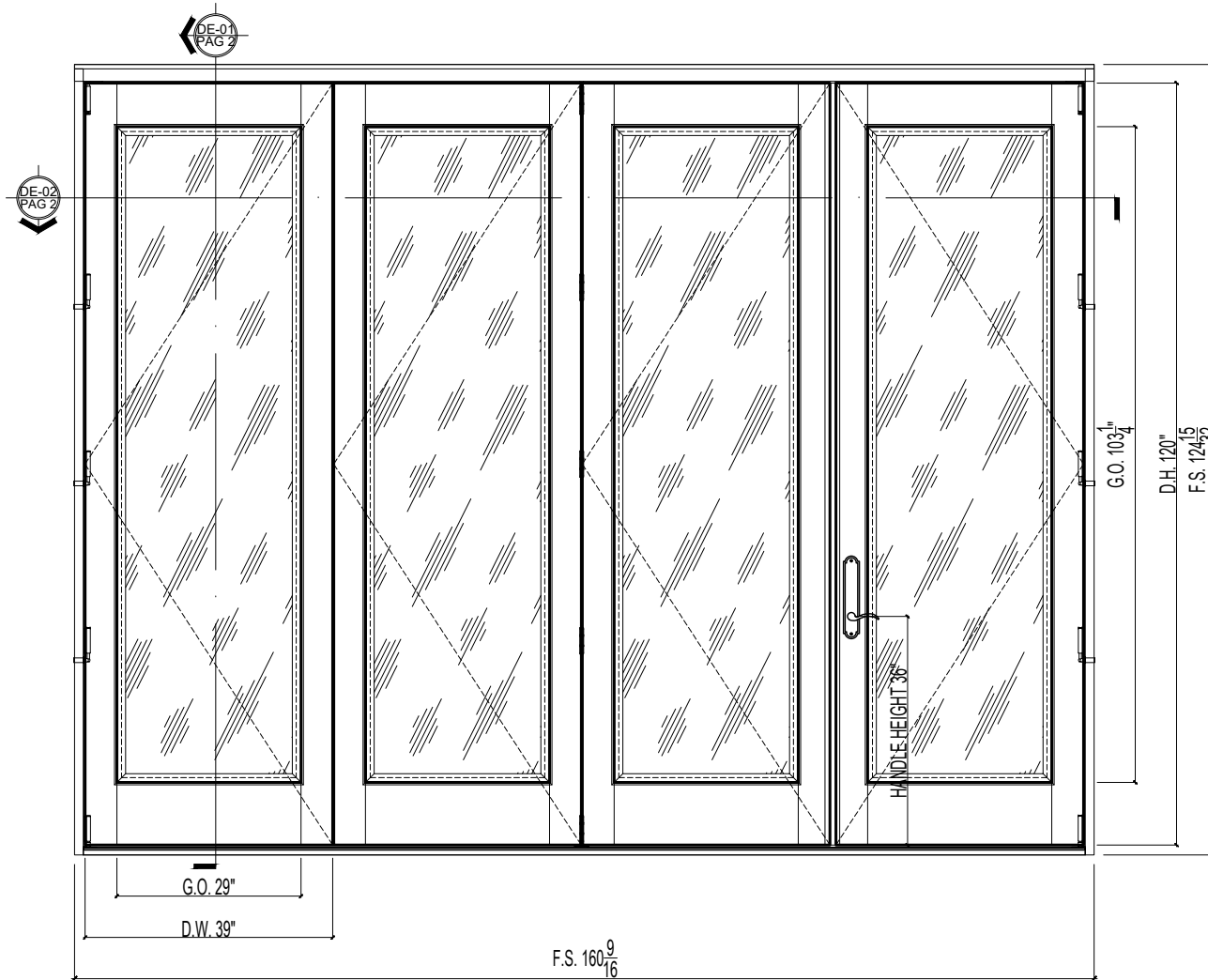




# FBC - Outswing Folding Door (E3 Hardware)

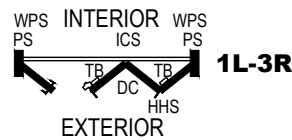
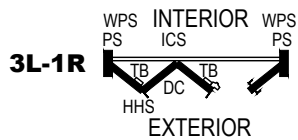
Exterior Elevation



## OUTSWING FOLDING DOOR (E3 HARDWARE)

In compliance with the Florida Building Code  
for HVHZ [FL16469-R1](#)

- Thickness: 2 1/4"
- Jamb Depth: 6 9/16"
- Glass: 1 1/4" IG LAMINATED  
IMPACT GLAZING
- Hardware: Centor E3 Sill System &  
KFV multipoint Lock
- Wood: Mahogany





# FBC - Outswing Folding Door (E3 Hardware)

Assembly details

