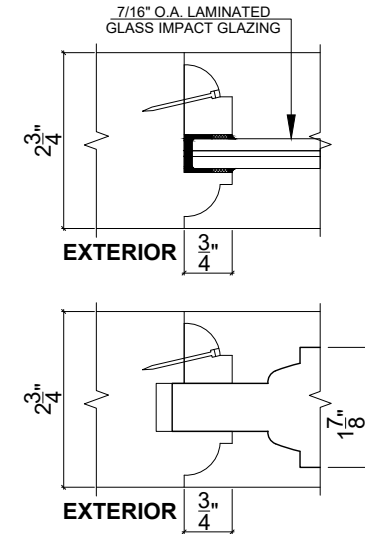
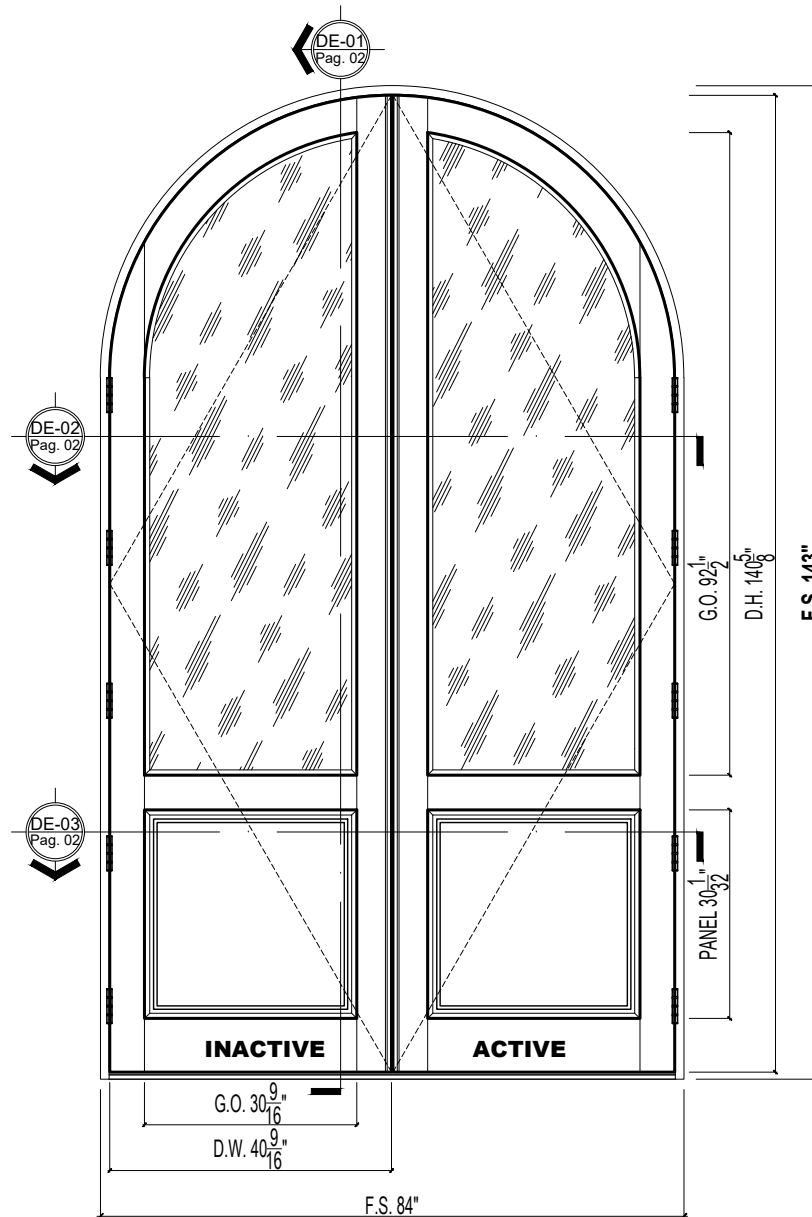




# FBC - Outswing Arch Wood Doors

Exterior Elevation



## OUT SWING ARCH WOOD DOORS

In compliance with the Florida Building Code for HVHZ [FL11217-R2](#)

- Thickness: 2 3/4"
- Jamb Depth: 6 1/2"
- Glass: 7/16" O.A. Laminated glass impact glazing
- Hardware: Hinges 5" x 5" by Hager  
KFV multipoint Lock,  
Sill by Columbia
- Wood: Mahogany

