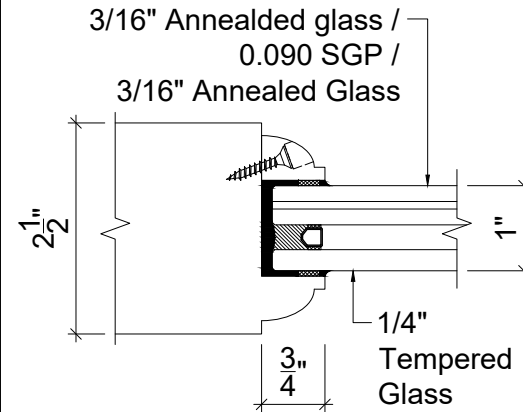
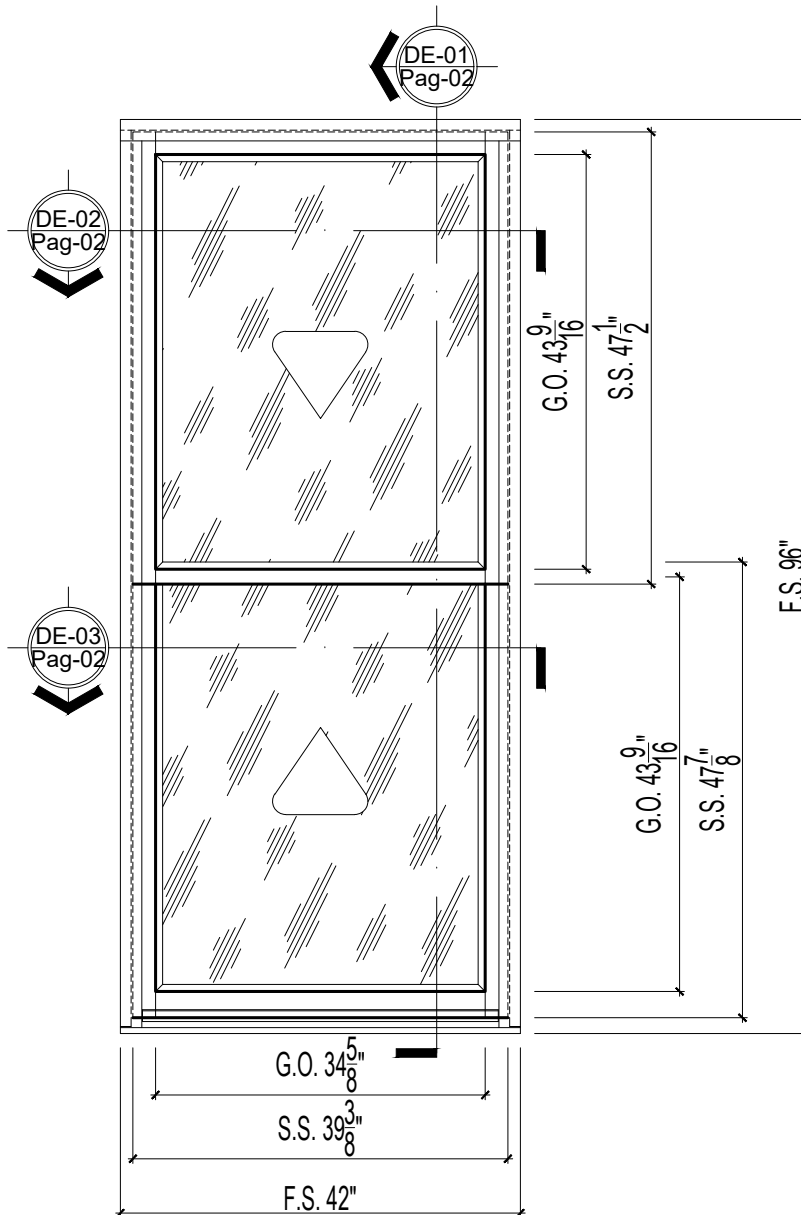


FBC - Double Hung Window (Narrow Frame)

Exterior Elevation



DOUBLE HUNG WINDOW NARROW FRAME

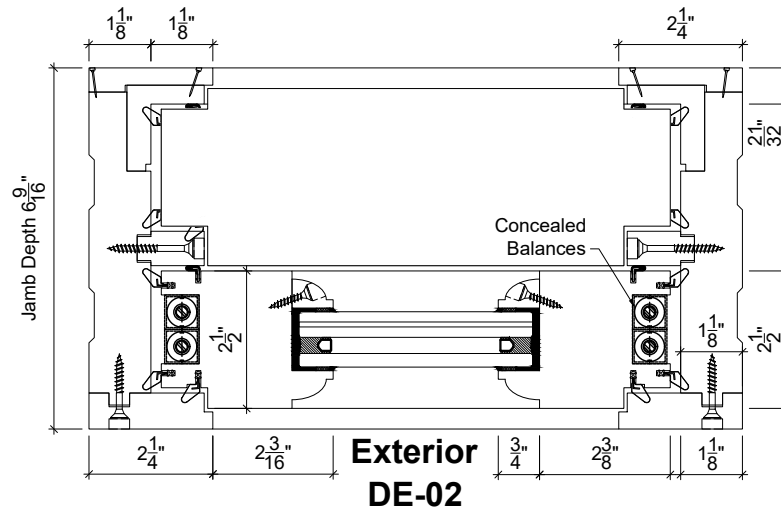
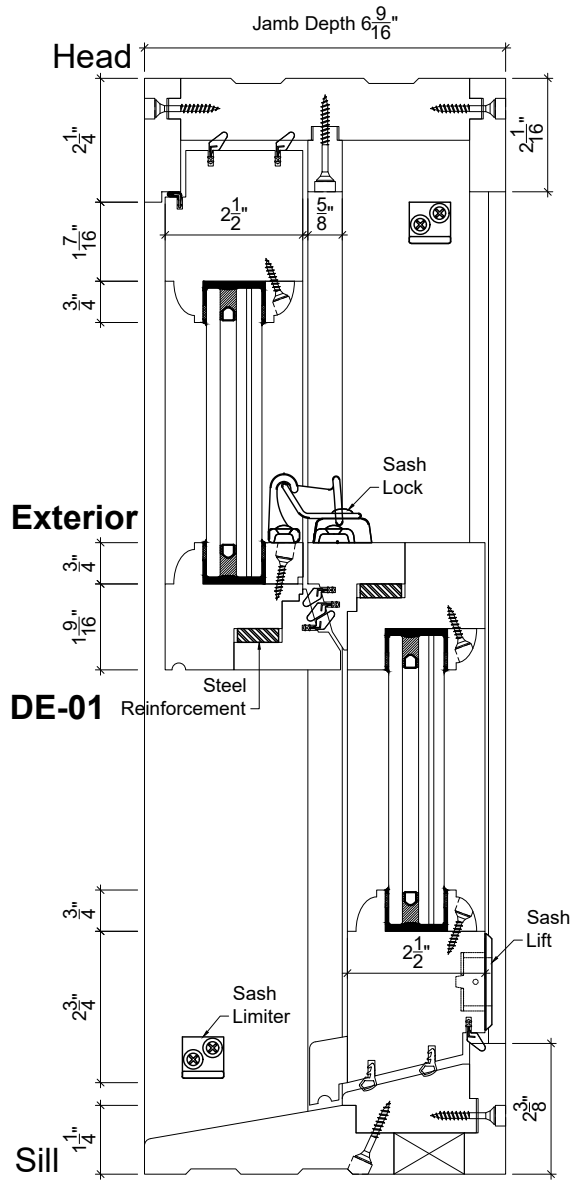
In compliance with the Florida Building Code
for HVHZ [FL16750-R1](#)

Thickness: 2 1/2"
Jamb Depth: 6 9/16"
Glass: 1" O.A. Laminated IG
Hardware: Concealed Balances by
Strybuc, Sash Lock
& Sash Lift by Phelps
Wood: Mahogany

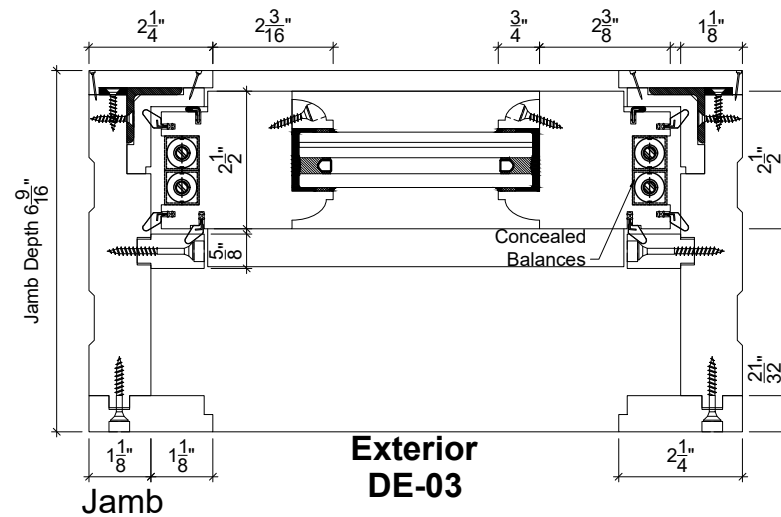


FBC - Double Hung Window (Narrow Frame)

Assembly details



Jamb



Jamb