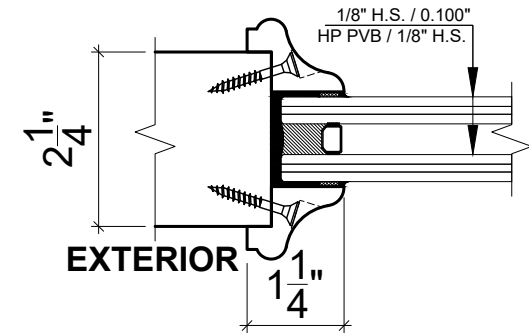
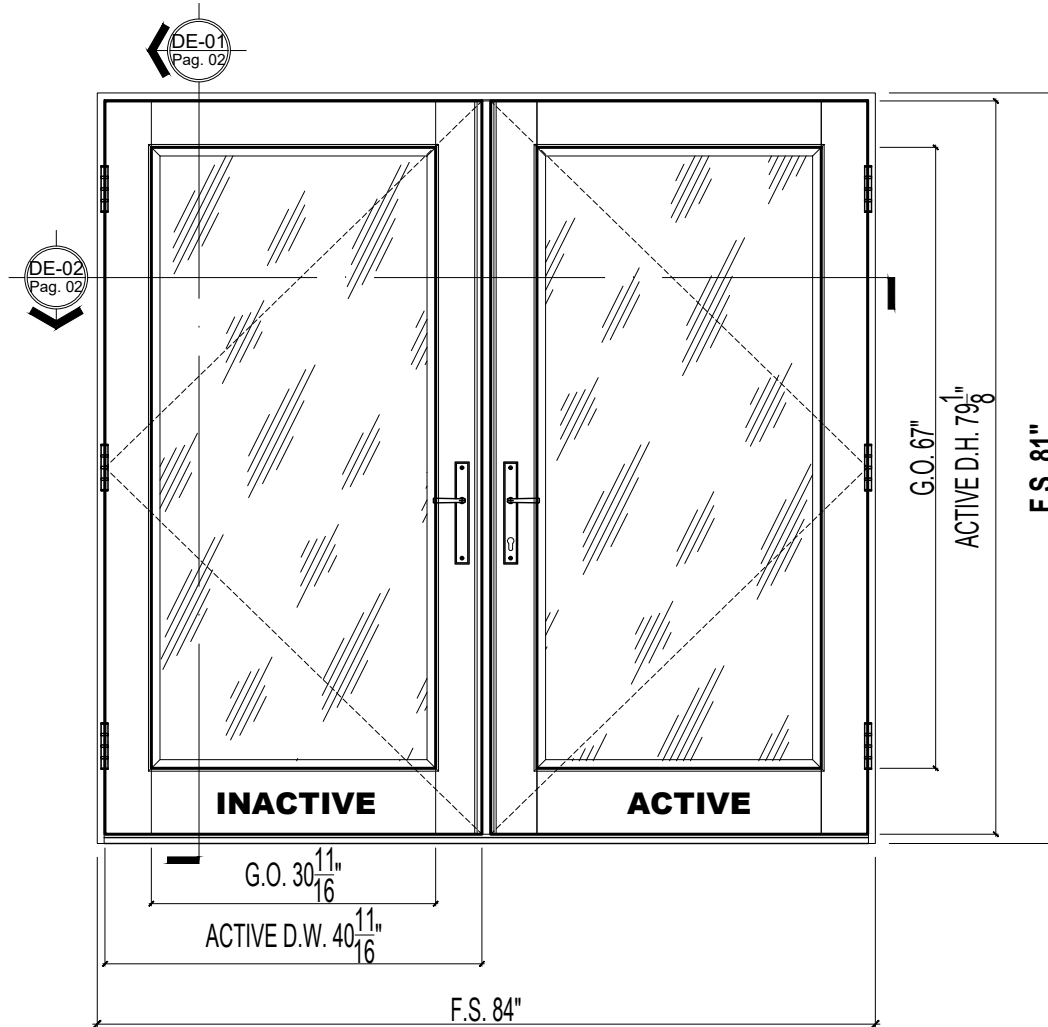


# FBC - 7'0 Outswing Double Glazed Door

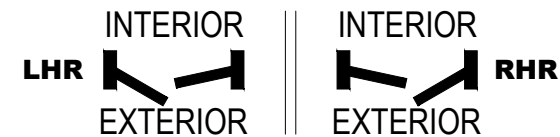
Exterior Elevation



## 7'0 OUTSWING DOUBLE GLAZED DOOR

In compliance with the Florida Building Code for HVHZ [FL11217-R2](#)

- Thickness: 2 1/4"
- Jamb Depth: 4 9/16"
- Glass: 1 1/8" O.A. Laminated glass impact glazing
- Hardware: Hinges 5" x 5" by Hager  
KFV multipoint Lock,  
Sill by Columbia
- Wood: Mahogany



# FBC - 7'0 Outswing Double Glazed Door

## Assembly details

