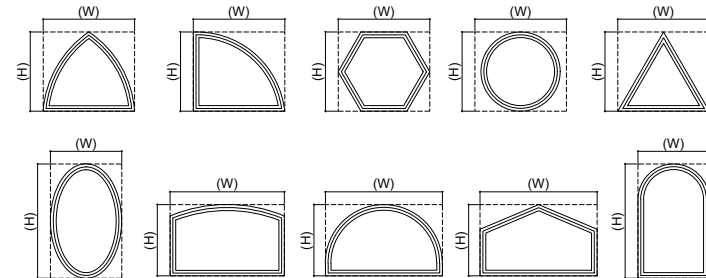
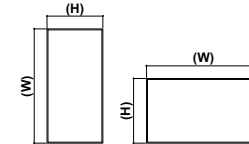


## WINDOWS SHAPES



**NOTE:**  
WINDOW WIDTH (W) AND HEIGHT (H)  
ARE INTERCHANGEABLE FOR ALL SIZE  
SHOWN HEREIN NOT TO EXCEED MAXIMUM  
QUALIFIED SQUARE FOOT AREA



## Single Direct Set Windows (Fixed)

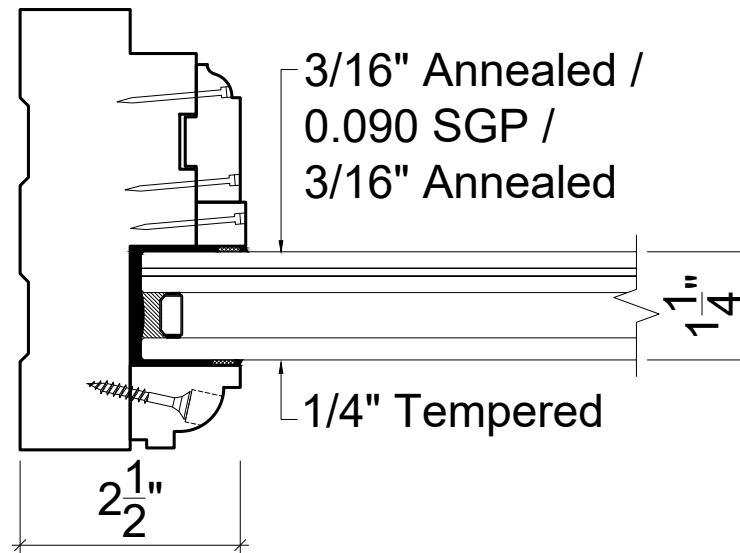
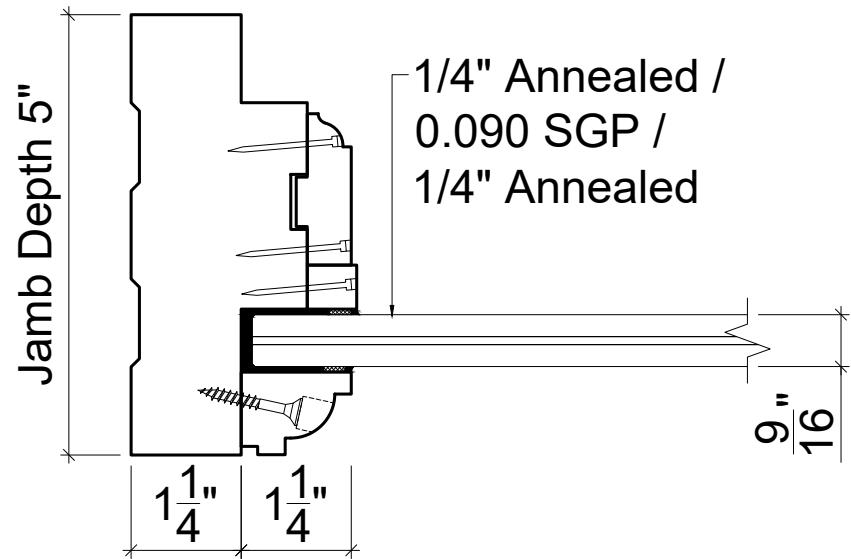
In compliance with the Florida Building Code  
for HVHZ [FL17587-R1](#)

Jamb Depth: 5"  
Glass: 9/16" O.A. Laminated glass  
impact glazing  
Hardware: N/A  
Wood: Mahogany



# FBC - SINGLE DIRECT SET WINDOW (FIXED)

Glazing Options





# FBC - SINGLE DIRECT SET WINDOW (FIXED)

Assembly details

